








### Features:

- User-definable measurement units (F°/C°) for convenient and familiar data readings.
- Port Options: Male NPTF and SAE
- Corrosion-resistant materials for challenging environments.
- Configurable measurement and broadcast intervals\*. Refer to Voice of the Machine Cloud for more information about capabilities and modalities.
- Available in unique foot design for quick attachment to pipe or hard tubing.

### Sensor Technical Data

					
Housing Material	Polycarbonate	Polycarbonate	Polycarbonate	Polycarbonate	Polycarbonate
Port	1/4" Male NPTF	-4 SAE	1/4" Male NPTF	-4 SAE	Foot
Wetted Parts Material	17-4 Stainless	17-4 Stainless and Nitrile	17-4 Stainless	17-4 Stainless and Nitrile	Stainless
Measurement Range (Fluid Temperature)	-40°F to 230°F [-40°C to 110°C]	-40°F to 230°F [-40°C to 110°C]	-40°F to 230°F [-40°C to 110°C]	-40°F to 230°F [-40°C to 110°C]	-40°F to 257°F [-40°C to 125°C]
Working Pressure	0-10k psi [0-700 bar]	0-9k psi [0-630 bar]	0-1500 psi [0-100 bar]	0-1500 psi [0-100 bar]	N/A
Max. Overload Pressure	3x	3x	2x	2x	N/A
Burst Pressure	4x	4x	3x	3x	N/A
Accuracy (at 77°F/ 25°C)	±3.0%	±3.0%	±3.0%	±3.0%	±5.0%
Resolution (from 14°F to 120°F)[-10°C to 44.8°C]	1°F [.56°C]	1°F [.56°C]	1°F [.56°C]	1°F [.56°C]	2°F [1.12°C]
Response Time (minimum)	1 sec	1 sec	1 sec	1 sec	1 sec
Ambient Temperature (battery limited)**	-4°F to 158°F [-20°C to 70°C]	-4°F to 158°F [-20°C to 70°C]	-4°F to 158°F [-20°C to 70°C]	-4°F to 158°F [-20°C to 70°C]	-4°F to 158°F [-20°C to 70°C]
Full Range Life Cycles	> 1 million	> 1 million	> 1 million	> 1 million	> 1 million
Certifications	FCC, IC, CE	FCC, IC, CE	FCC, IC, CE	FCC, IC, CE	FCC, IC, CE
Battery (Panasonic is recommended brand)	CR123A	CR123A	CR123A	CR123A	CR2450
IP Rating	IP65	IP65	IP65	IP65	IP65

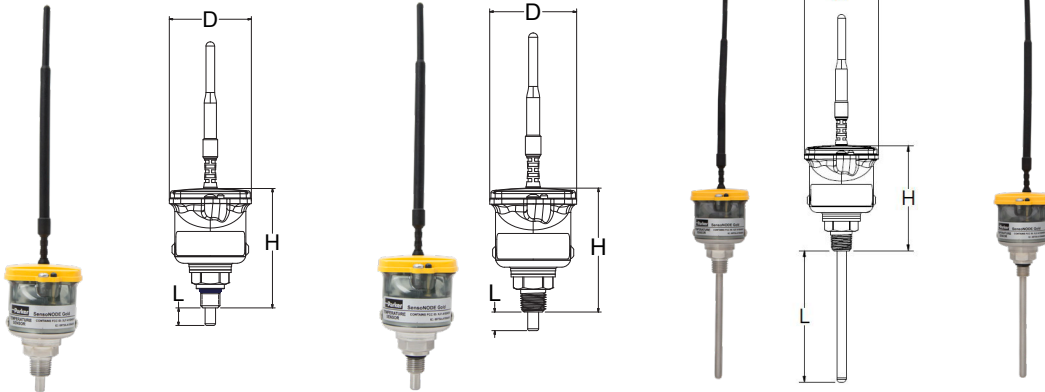
Note: Consult QCD for other port options, pressure ratings, and port seal materials.

\*Consult Subscription Agreement and Order Form or Parker QCD for any changes regarding data rates.

\*\*Ambient temperature range can be broadened by installing Wired Power Adapter (SNWP2-2)

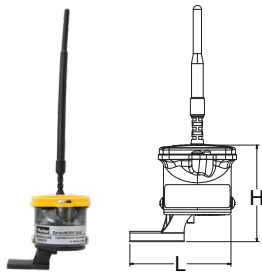


## Temperature Sensors – Ported



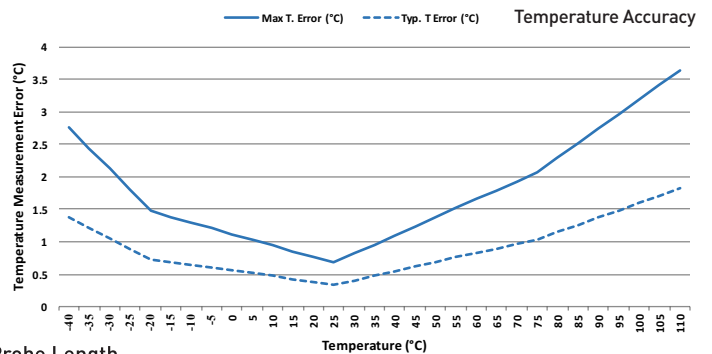
Part Number	Fluid Temperature Range	Port	D	H	L
SNT2-700-2-4M0	-40°F to 230°F [-40°C to 110°C]	-4 SAE	ø1.88" [48mm]	2.72" [69mm]	0.40" [10.16mm]
SNT2-700-2-4MP	-40°F to 230°F [-40°C to 110°C]	1/4" Male NPTF	ø1.88" [48mm]	2.66" [68mm]	0.40" [10.16mm]
SNT2-100-2-4M0-0335	-40°F to 230°F [-40°C to 110°C]	-4 SAE/Probe	ø1.88" [48mm]	2.72" [69mm]	3.35" [85mm]
SNT2-100-2-4MP-0335	-40°F to 230°F [-40°C to 110°C]	1/4" Male NPTF/Probe	ø1.88" [48mm]	2.66" [68mm]	3.35" [85mm]

## Temperature Sensors – Foot

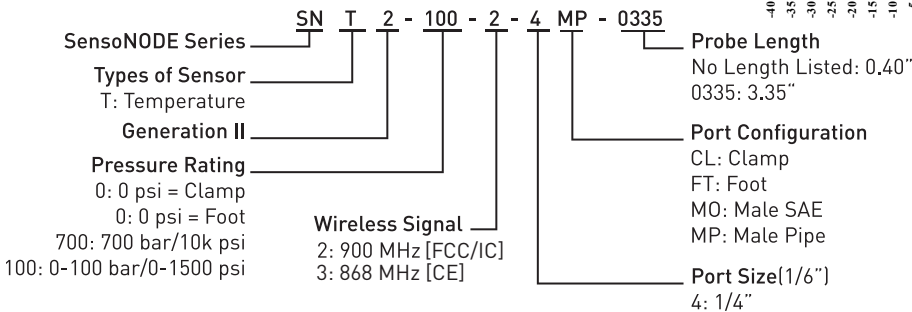


Part Number	Fluid Temperature Range	L	H	Optimal Clamping
SNT2-0-2-FT	-40°F to 257°F [-40°C to 125°C]	2.42" [61.5mm]	2.31" [58.7mm]	> 0.25" + [> 6.4mm]

Note: Products in catalog are currently only for sale in U.S., Canada, and Europe except where stated otherwise.



### How to Order:



**WARNING**  
 The products listed can expose you to chemicals including Lead, which is known to the State of California to cause cancer, and to cause birth defects or other reproductive harm. For more information go to [www.P65Warnings.ca.gov](http://www.P65Warnings.ca.gov)